

PRODUCT INFORMATION PACKET

Model No: 056C34D2099

Catalog No: O213

Fan and Blower Motor, 0.50 HP, 1 Ph, 60 Hz, 115/208-230 V, 3600 RPM, 56C Frame, DP



Regal and Marathon are trademarks of Regal Rexnord Corporation or one of its affiliated companies.

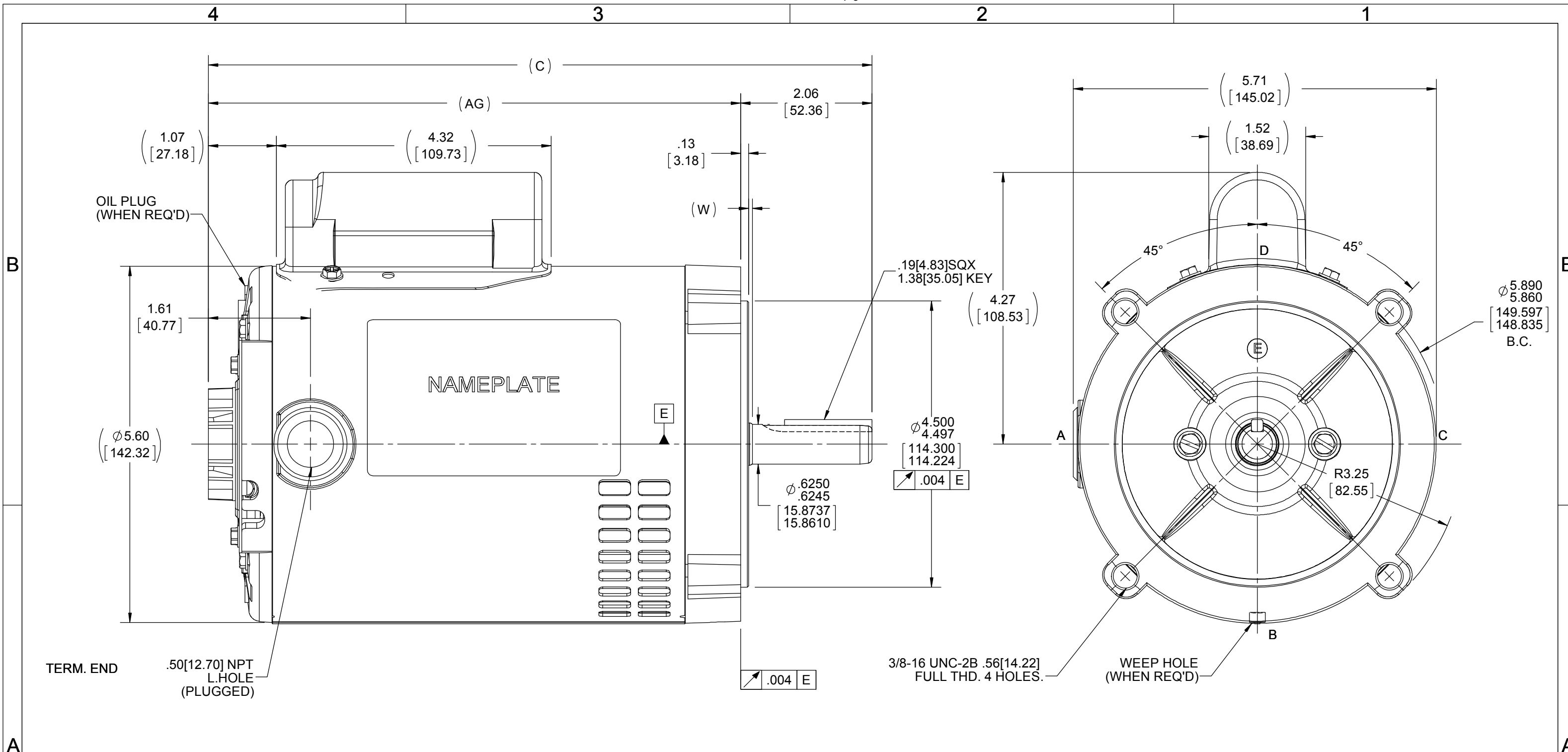
©2024 Regal Rexnord Corporation, All Rights Reserved. MC017097E

Nameplate Specifications

Phase	1	Output HP	0.50 Hp
Output KW	0.37 kW	Voltage	115/208-230 V
Speed	3450 rpm	Service Factor	1.6
Frame	56C	Enclosure	Drip Proof
Thermal Protection	Manual	Efficiency	66.7 %
Ambient Temperature	40 °C	Frequency	60 Hz
Current	7.4/3.5-3.7 A	Power Factor	72.5
Duty	Continuous	Insulation Class	B
Design Code	NO DESIGN CODE	KVA Code	L
Drive End Bearing Size	6203	Opp Drive End Bearing Size	6203
UL	Recognized	CSA	Y
CE	Y	IP Code	22
Number of Speeds	1		

Technical Specifications

Electrical Type	Capacitor Start Induction Run	Starting Method	Across The Line
Poles	2	Rotation	Selective Counterclockwise
Resistance Main	0 Ohms	Mounting	Round
Motor Orientation	Horizontal	Drive End Bearing	Ball
Opp Drive End Bearing	Ball	Frame Material	Rolled Steel
Shaft Type	T	Overall Length	10.69 in
Frame Length	6.75 in	Shaft Diameter	0.625 in
Shaft Extension	2.06 in	Assembly/Box Mounting	F1 ONLY
Outline Drawing	A-SS75606-675	Connection Drawing	A-EE9002M



TERM. END .50[12.70] NPT L.HOLE (PLUGGED)

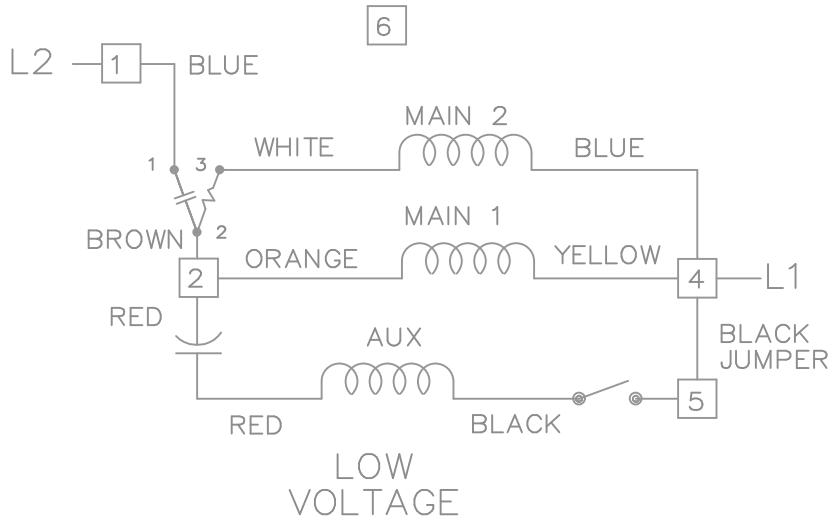
3/8-16 UNC-2B .56[14.22] FULL THD. 4 HOLES.

WEEP HOLE (WHEN REQ'D)

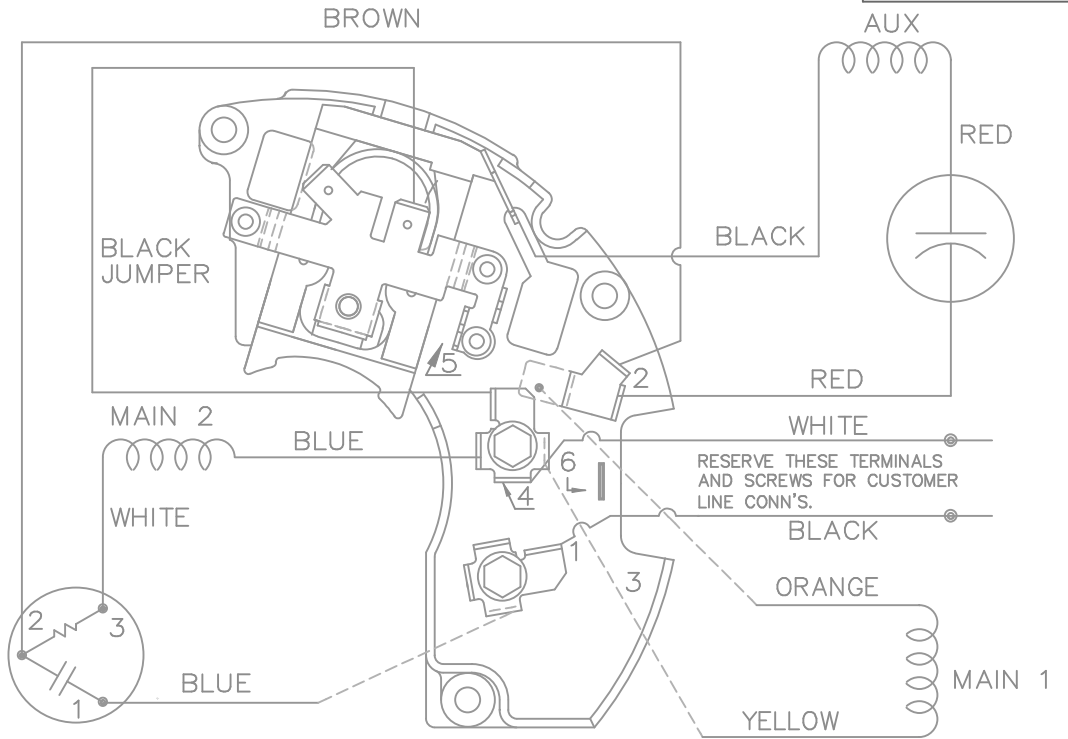
DASH	C	AG
625	10.19[258.82]	8.12[206.24]
650	10.44[265.17]	8.37[212.59]
675	10.69[271.52]	8.62[218.94]
700	10.94[277.87]	8.87[225.29]
725	11.19[284.22]	9.12[231.64]
775	11.69[296.92]	9.62[244.34]
800	11.94[303.27]	9.87[250.70]

- NOTES :-**
- 1). NAMEPLATE LOCATION AT "A" READ FROM TERM.END
 - 2). 'W'=CLEARANCE ALLOWED FOR ALL VARIANCES IN MANUFACTURING & ASSEMBLY.

DRAWING REVISION J	REVISION BY M. CHATLAPALLI	DATE 1/8/2019	TOLERANCES UNLESS OTHERWISE SPECIFIED: DEC. INCH mm ANGLE .X ±0.1 [±2.5] ±7' 30" .XX ±0.03 [±0.76] .XXX ±0.005 [±0.127] .XXXX ±0.0005 [±0.0127]	DRAWN BY RM	REGAL ™ Regal Beloit America, Inc.
ECO ECO-0161326	APPROVED BY D.SURYAWANSHI	DATE 2/6/2019		DATE 10-09-1992	
ECO DESCRIPTION OUTLINE CONVERSION PROJECT COPYRIGHT REGAL BELOIT AMERICA, INC. ALL RIGHTS RESERVED. PROPRIETARY AND CONFIDENTIAL INFORMATION - THIS DOCUMENT IS THE PROPERTY OF REGAL BELOIT AMERICA, INC. ("OWNER") AND CONTAINS OWNER'S PROPRIETARY INFORMATION. ANY PERSON, CORPORATION OR OTHER FIRM RECEIVING IT IS DEEMED, BY RECEIVING IT, TO AGREE THAT IT, AND/OR ANY PART OF IT, SHALL NOT BE DISCLOSED TO ANY PERSON, CORPORATION OR OTHER ENTITY, DUPLICATED, AND/OR USED, EXCEPT AS EXPRESSLY APPROVED IN WRITING IN ADVANCE BY OWNER. THIS DOCUMENT SHALL BE RETURNED TO OWNER UPON REQUEST. IT MAY BE SUBJECT TO CERTAIN RESTRICTIONS UNDER APPLICABLE EXPORT CONTROL LAWS AND REGULATIONS.			REMOVE BURRS & BREAK SHARP EDGES: .003/.015 [.076/.381] X 45 ° CORNER FILLETS: R.02 [.51] MACHINED SURFACES: 200 INCH/mm 5.1 mm SHOWN IN [BRACKETS]	APPROVED BY JAY	DESCRIPTION OUTLINE
			DATE 10-09-1992	REFERENCE SS75606	MATERIAL
			THIRD ANGLE PROJECTION	SIZE B	DRAWING NUMBER SS75606
					PROCESS/FINISH
					SHEET 1 OF 1

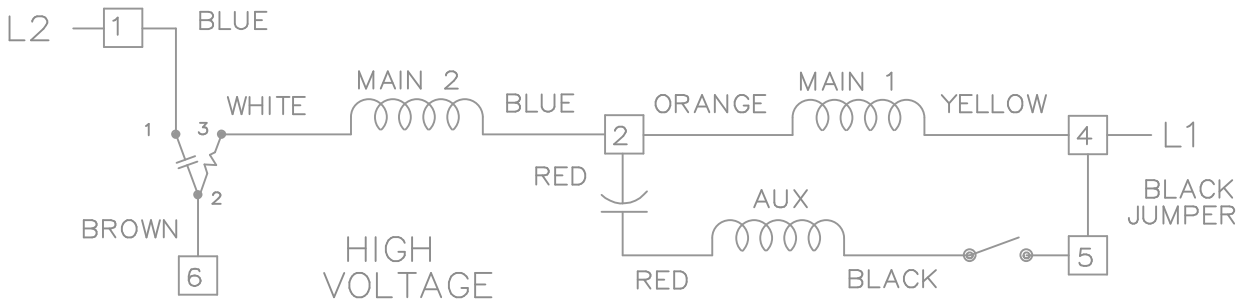


DUAL VOLTAGE CAPACITOR START REVERSIBLE ON TERM BOARD WITH OVERLOAD PROTECTION



VIEWING TERM END

LOW VOLTAGE CCW ROTATION SHOWN.



FOR HIGH VOLTAGE CONNECT BROWN TERM 2 TO TERM 6. CONNECT BLUE TERM 4 TO TERM 2.

TO REVERSE ROTATION EITHER VOLTAGE INTERCHANGE RED LEAD WITH BLACK LEAD.

				TOLERANCES UNLESS SPECIFIED		MARATHON ELECTRIC	DRAWN BW 02-22-1990				
				DEC.	INCHES		CHK	ML	02-22-1990		
				.X	± -	TITLE CONNECTION DIAGRAM 48 FR. DUAL VOLTAGE REVERSIBLE	APPD	GK	02-22-1990	SCALE	1=1
3	ROUTING OF BLACK JUMPER	CN 35440	BJK 08-20-2002	.XX	± -		REF				
2	REVISED BLACK LINE LOCATION	CN 6427	RM 01-28-1991	.XXX	± -		FMF				
1	NEW DRAWING		BW 02-22-1990	.XXXX	± -		PREV				
NO.	REVISION		BY & DATE	CHK	ANG	FINISH					
THIS DRAWING IN DESIGN AND DETAIL IS OUR PROPERTY AND MUST NOT BE USED EXCEPT IN CONNECTION WITH OUR WORK ALL RIGHTS OF DESIGN AND INVENTION ARE RESERVED THIS IS AN ELECTRONICALLY GENERATED DOCUMENT - DO NOT SCALE THIS PRINT				RFP	CAD FILE EE9002M		SIZE	DRAWING NO.	PAGE	OF	REV.
				DIST	WP		A	EE9002M			3



MARATHON ELECTRIC CORPORATION
TYPICAL PERFORMANCE CURVE for AC MOTOR

Customer

Curve at

230 Volts
60 HZ
0.5 HP

HP 0.50

PHASE 1

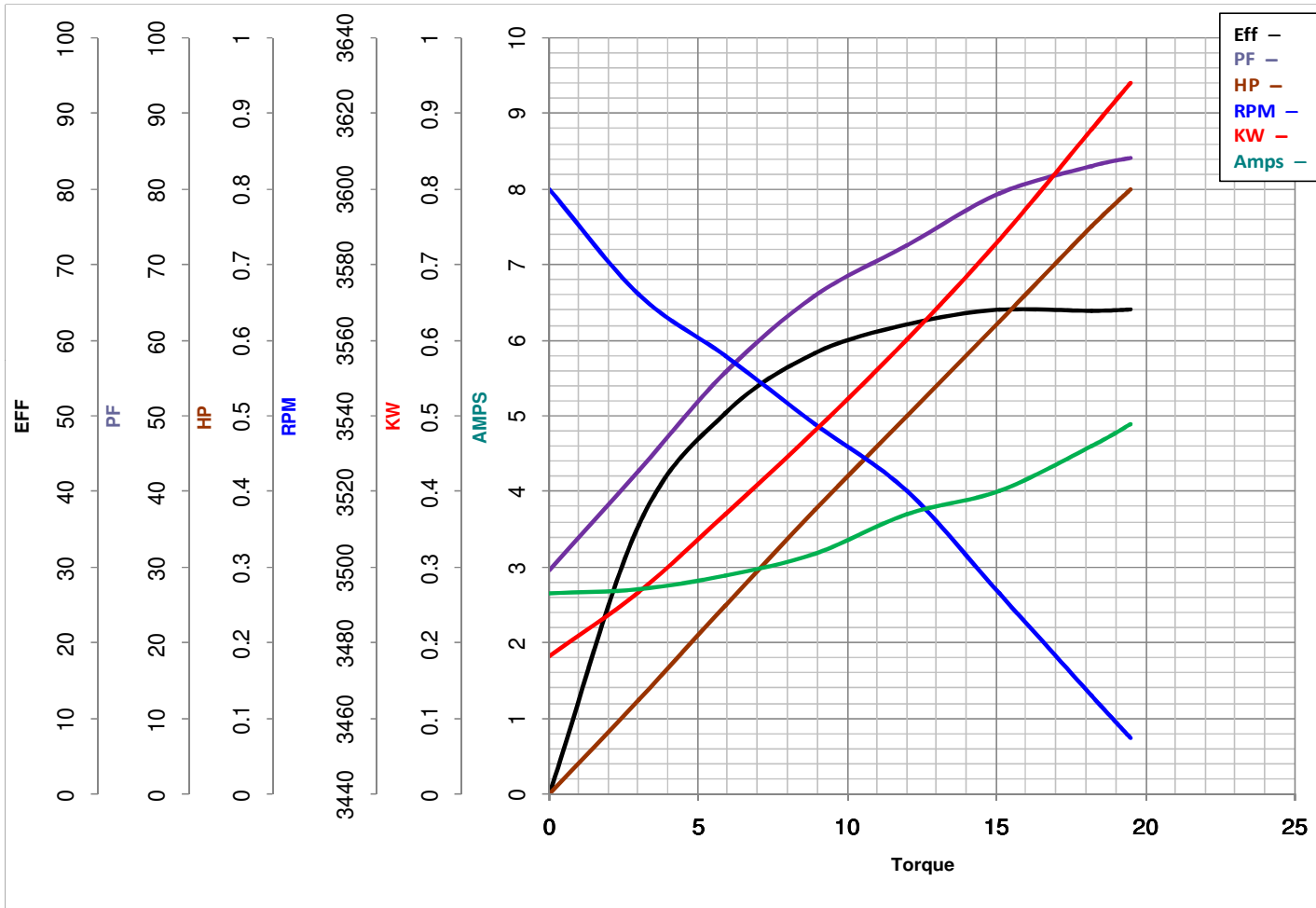
Model No 56C34D2099

VOLTS 115/208-230

Catalog No O213

HZ 60

RPM 3450



Torque in Oz.Ft

FL TORQUE 12 Oz.Ft
BD TORQUE 31.1 Oz.Ft
LR TORQUE 22.9 Oz.Ft

FL AMPS 7.4/3.5-3.7
PU TORQUE 21.7 Oz.Ft
LR AMPS 19.1

WINDING CE482183-3

Date 1/21/2019

EC Declaration of Conformity

The undersigned representing
the manufacturer:

Regal Beloit America
100 East Randolph St.
Wausau, WI 54401

and the authorized representative
established within the Community:

Marathon Electric UK
6F Thistleton Road Ind. Estate
Market Overton
Oakham, Rutland LE15 7PP UK

are committed to providing customers with products that comply with applicable regulations and international protocols to which they are subject, including the requirements of the European Parliament Directive on the Harmonization of the laws relating to electrical equipment designed for use within certain voltage limits (2014/35/EU).

Regal Beloit America declares that the following product(s), to which this declaration relates, are in conformity with the relevant sections of the EC standards listed below.

This statement supersedes any statements previously issued pertaining to the product(s) listed below and is subject to change without notice.

Model No : 056C34D2099

(Model No. may contain prefix and/or suffix characters)

Catalog No : O213

Rework No : N/A

Directives :

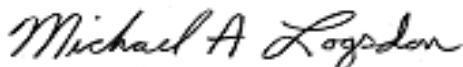
Low Voltage Directive 2014/35/EU

Harmonized Standards Used :

EN 60034-1: 2010 (IEC 60034-1: 2010)

EN 60034-5: 2001/A1:2007 (IEC 60034-5: 2000/A1:2006)

Authorized Representative:



Michael A. Logsdon
Vice President, Technology

Authorized Representative in the Community:



Julian Clark
Marketing Engineer

Created on 09/01/2022

CE 22